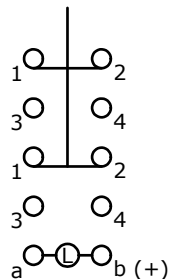
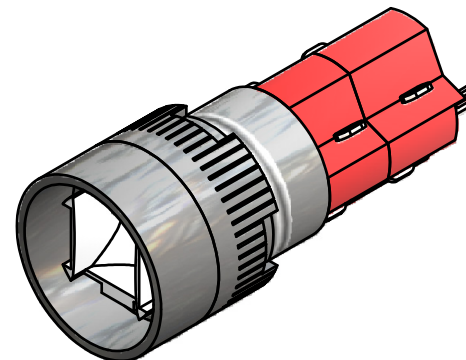
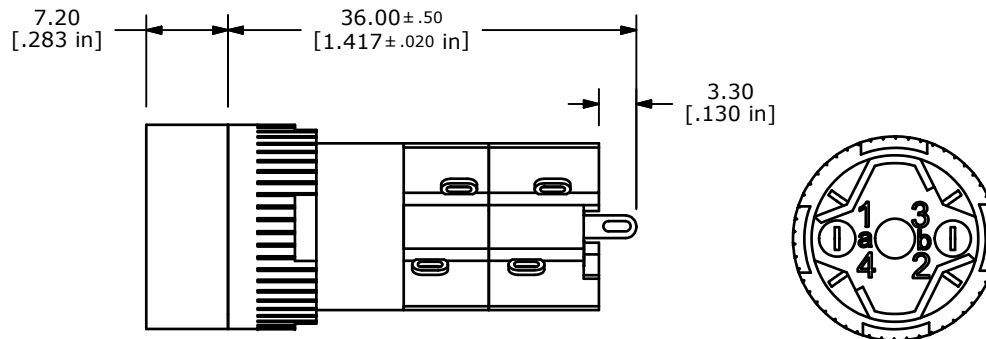
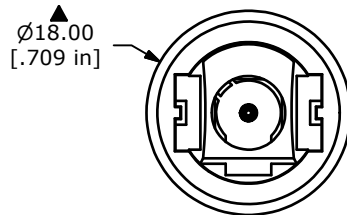


RECOMMENDED PANEL MOUNTING



DPST

CONTACT CONFIGURATION



NOTE:

1. ALL DIMENSIONS IN MM [INCH].
2. GENERAL TOLERANCE: X.X=±0.4
X.XX=±0.25
3. TERMINAL NUMBERS FOR REF ONLY.
- ▲ 4. CONTACT RATING: 5A @ 250VAC,
8A @ 125VAC,
6A @ 24VDC
5. ELECTRICAL LIFE: 50,000 OPERATIONS
6. INSULATION RESISTANCE: 1,000 MEGA-OHM MIN.
- ▲ 7. CONTACT MATERIAL: SILVER PLATED COPPER ALLOY
8. ACTUATION FORCE: 300g / POLE
9. OPERATING TEMP.: -25°C to +55°C
10. ▲ DENOTES CRITICAL PARAMETER.
11. 2002/95/EC (ROHS) COMPLIANT



| | | | | |
|----------------|----------|-----|---------|-----|
| TITLE D16EER12 | | | | |
| SCALE | DATE | DR | DWG | REV |
| 1.5:1 | 3/9/2011 | BGL | F040016 | C |

| | | | | |
|-----|--------|-------------------|--------|-----|
| C | 19745 | CLEAN UP / UPDATE | 3/9/11 | BGL |
| REV | PCR NO | DESCRIPTION | DATE | BY |

THE INFORMATION CONTAINED IN THIS DOCUMENT IS PROPRIETARY TO E-SWITCH AND IS NOT TO BE COPIED OR TRANSFERRED